

NEW

PRODUCT DATA SHEET INFORMATION

HBH Series Redundant Valve Systems



Hydraulic Block & Hold Safety Valves

Designed for External Monitoring

Port Size 1-1/2 & 2 Flange



The HBH Series valves are redundant blocking valve systems designed for critical applications where safe load holding is required for hydraulically controlled cylinders. These valve systems are equipped with position sensors for external monitoring by an electrical safety control system.

FEATURES & BENEFITS:

- Stops cylinder motion and holds the cylinder in position in the event of loss of supply pressure and/or electrical power
- Holds a vertical load in the event of loss of supply pressure or electrical power
- Flow up to 145 gpm
- Two Body Sizes, D25 and D32
- Port Sizes 1½ and 2, Code 62 Flange
- Tamper-resistant design prevents unauthorized personnel from altering the valve



APPLICATIONS: Category 4, PL e applications if properly implemented into the system.

HOW TO ORDER

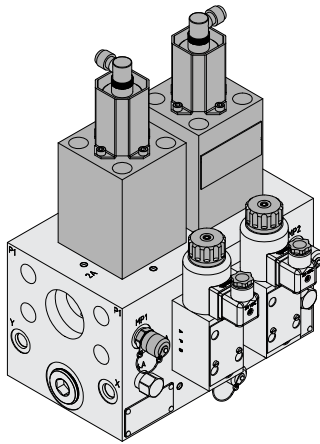
(Choose your options (in red) to configure your valve system model number.)

HBH	D	D	XX	682F	B	A	E	X	A
Series	Valve Type Double				Seal Type Buna-N	Voltage 24 volts DC		Monitoring External	Revision Level None
	Material Ductile Iron							Communication None	
	Pressure Relief No Pressure Relief Valve								

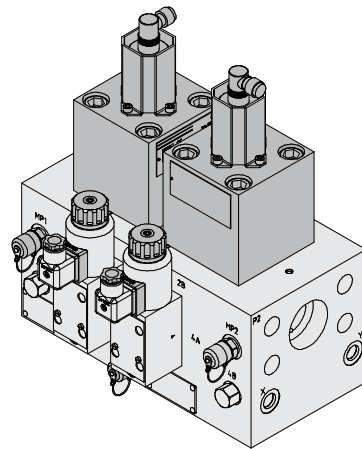
Body Size	Flow Rate	Port Size	Port Thread/Type		ISO Size	Weight lb (kg)
D25	0 to 90 gpm	1-1/2	Code 62 Flange	682F	D25	112.3 (50.9)
		2	Code 62 Flange	692F		
D32	0 to 145 gpm	2	Code 62 Flange	792F	D32	142.8 (64.8)

Standard Specifications

Construction Design	Spool type	Inductive Position Switch (2 per system)	PNP
Actuation	One solenoid per valve element Solenoids must be operated synchronously Solenoid Pilot Operated, spring return	Current Consumption (each switch)	400mA maximum
Mounting	Type: Base Orientation: Any, preferably horizontal	Temperature Range (recommended)	Ambient: -4° to 160°F (-20° to 71°C) Media: -4° to 140°F (-20° to 60°C)
Solenoids	Version as per VDE 0580. Rated for continuous duty. Electrical connection according to EN 175301-803 Form A. Enclosure rating according to DIN 400 50 IP 65.	Flow Media	Hydraulic Fluids: Mineral Oil HLP, HL-DIN 51524 Vegetable Oil HETG - VMDA 24568
Standard Voltages	24 volts DC	Inlet Pressure	5000 psi (344 bar)
Power Consumption (each solenoid)	30 watts	Construction Material	Valve Body & Manifold: Ductile Iron Spool: Steel Seals: Buna-N

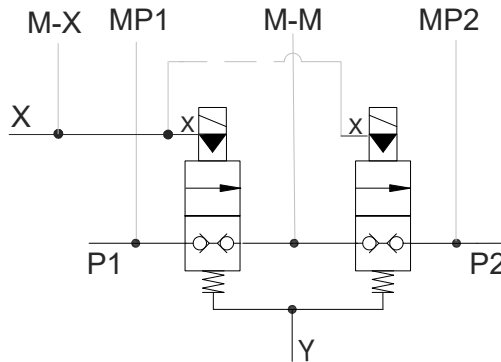


Body Size D25

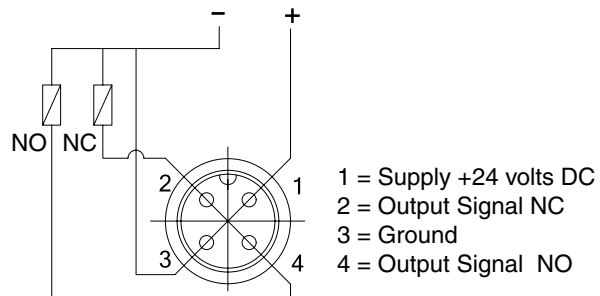


Body Size D32

Schematic

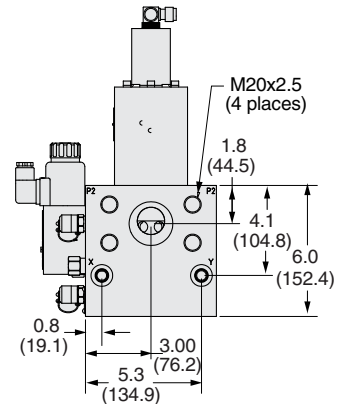
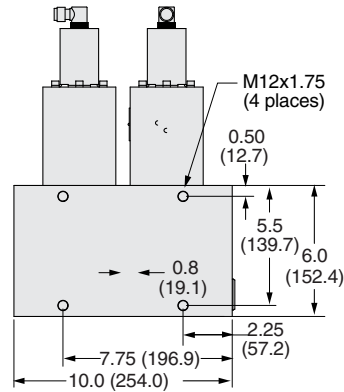
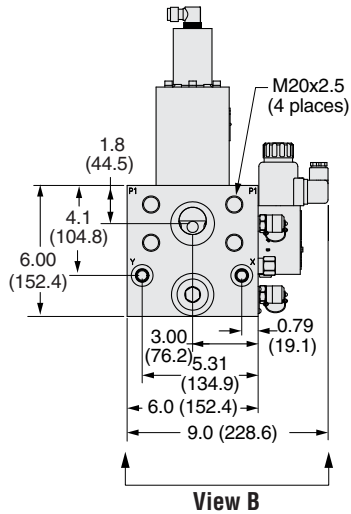
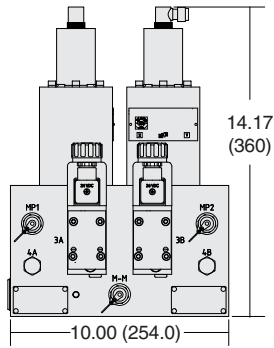
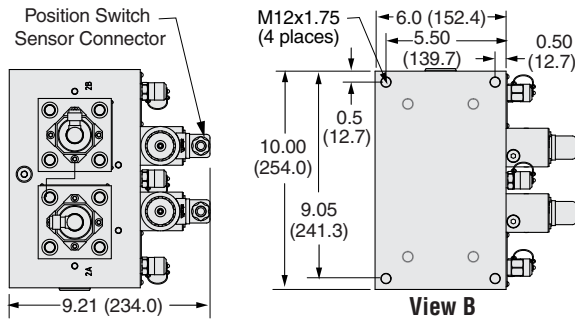


Position Switch Sensor Connector



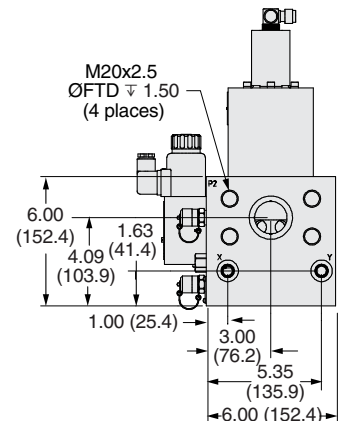
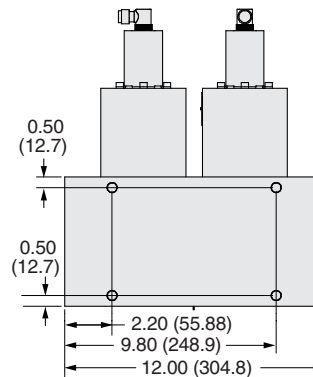
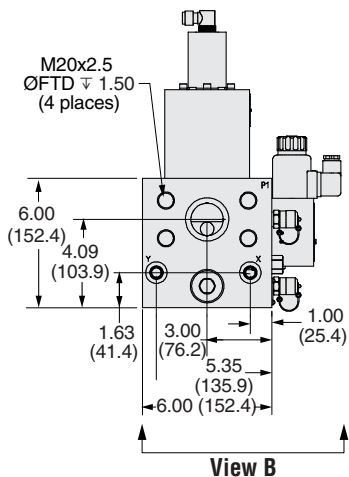
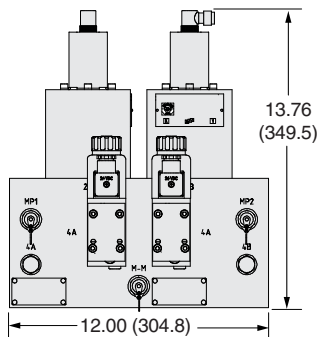
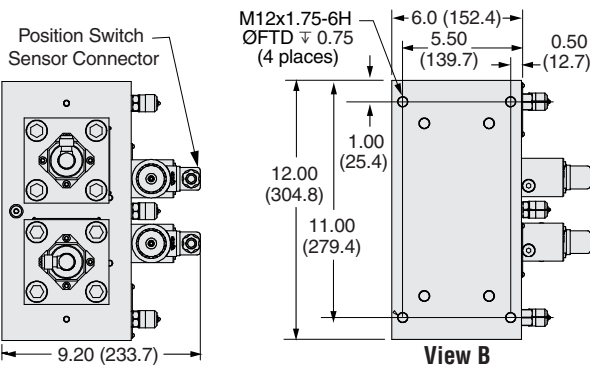
Body Size D25

Ports List	
ID	Name
P1	2.000 MT 62
P2	2.000 MT 62
X	SAE # 6
Y	SAE # 6
MP1	SAE # 6
M-M	SAE # 6
MP2	SAE # 6
M-X	SAE # 6



Body Size D32

Ports List	
ID	Name
P1	2.000 MT 62
P2	2.000 MT 62
X	SAE # 6
Y	SAE # 6
MP1	SAE # 6
M-M	SAE # 6
MP2	SAE # 6
M-X	SAE # 6



Accessories – Electrical Connectors

Connection	Electrical Connector Form	Electrical Connector Type	Cord Length meters (feet)	Cord Diameter	Model Number	
					Without Light	Lighted Connector 24 Volts DC
Solenoid	EN 175301-803 Form A	Prewired Connector (18 gauge)	2 (6½)	6-mm	721K77	720K77-W
		Prewired Connector (18 gauge)	2 (6½)	10-mm	371K77	383K77-W
		Connector for threaded conduit (1/2 inch electrical conduit fittings)	–	–	723K77	724K77-W
		Connector Only	–	–	937K87	936K87-W

CAUTIONS: Do not use electrical connectors with surge suppressors, as this may increase valve response time when de-actuating the solenoids.



FLUID POWER PRODUCTS FOR PNEUMATIC SOLUTIONS:

- Hydraulic Block and Bleed



WARRANTY, CAUTIONS and WARNINGS

Standard ROSS warranty, cautions and warnings apply, available upon request or at rosscontrols.com.

ROSS CONTROLS	USA	Tel: 1-248-764-1800	www.rosscontrols.com
ROSS EUROPA GmbH	Germany	Tel: 49-6103-7597-100	www.rosseuropa.com
ROSS ASIA K.K.	Japan	Tel: 81-42-778-7251	www.rossasia.co.jp
ROSS UK Ltd.	UK	Tel: 44-1543-671495	www.rossuk.co.uk
ROSS SOUTH AMERICA Ltda.	Brazil	Tel: 55-11-4335-2200	www.rosscontrols.com.br
ROSS CONTROLS INDIA Pvt. Ltd.	India	Tel: 91-44-2624-9040	www.rosscontrols.com
ROSS CONTROLS (CHINA) Ltd.	China	Tel: 86-21-6915-7961	www.rosscontrolschina.com
ROSS FRANCE SAS	France	Tel: 33-1-49-45-65-65	www.rossfrance.com
ROSS CANADA <small>(6077170 CANADA INC. AN INDEPENDENT REPRESENTATIVE)</small>	Canada	Tel: 1-416-251-7677 (416-251-ROSS)	www.rosscanada.com