

NPN to PNP Converter
With 5 VDC regulator

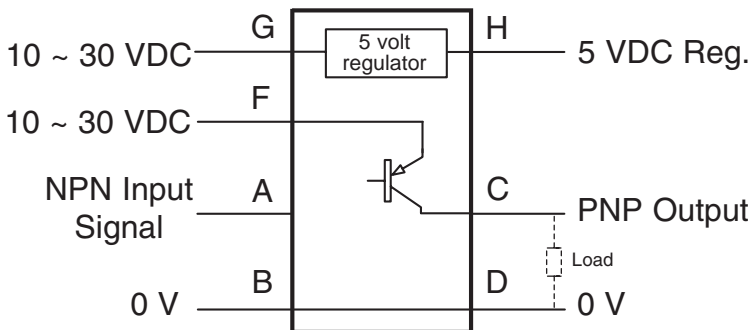
RCM

- Self contained module designed to convert a NPN sinking signal into a PNP sourcing signal.
- Regulated 5 VDC @ 250 mA is available to power external devices
- Supply Voltage : 10 to 30 VDC
- Converts the signal from one NPN device
- 100 mA maximum load current
- .5 millisecond response time
- Standard DIN rail mounting
- Temperature range 10 to 55° C

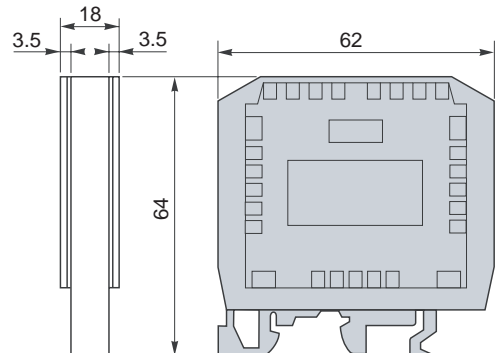


RCM - NPN to PNP Converter

Wiring Connection



Dimensions (mm)



All information is subject to change without prior notice.

Ramco Innovations
1207 Maple St. West Des Moines, IA 50265 USA
Phone: 515-225-6933 FAX: 515-225-0063

NPN to PNP Converter

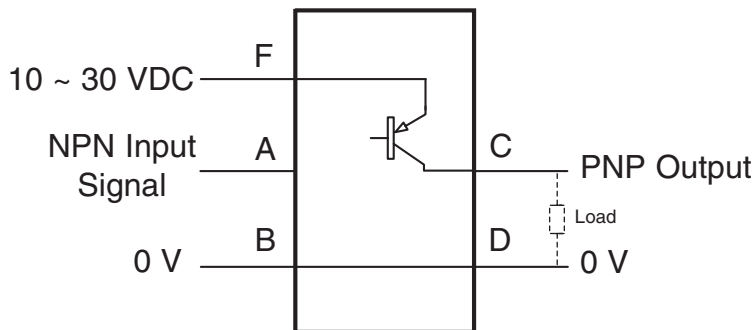
RCM-1

- Self contained module designed to convert a NPN sinking signal into a PNP sourcing signal.
- Supply Voltage : 10 to 30 VDC
- Converts the signal from one NPN device
- 100 mA maximum load current
- .5 millisecond response time
- Standard DIN rail mounting
- Temperature range 10 to 55° C

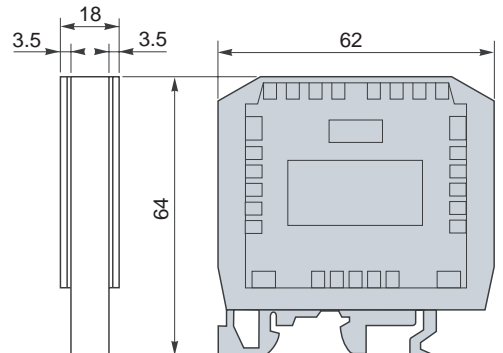


RCM-1 NPN to PNP Converter

Wiring Connection



Dimensions



All information is subject to change without prior notice.

Ramco Innovations

1207 Maple St. West Des Moines, IA 50265 USA
Phone: 515-225-6933 FAX: 515-225-0063

1-800-280-6933

Three Channel NPN to PNP Converter

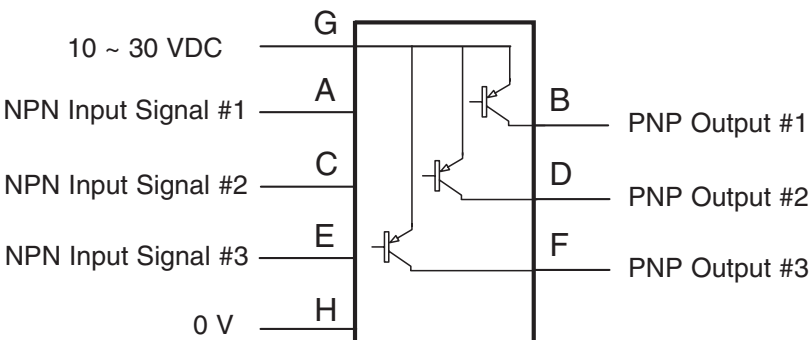
RCM-1X3

- Self contained module designed to convert a NPN sinking signal into a PNP sourcing signal.
- Supply Voltage : 10 to 30 VDC
- Converts the signal from three NPN devices
- 100 mA maximum load current
- .5 millisecond response time
- Standard DIN rail mounting
- Temperature range 10 to 55° C

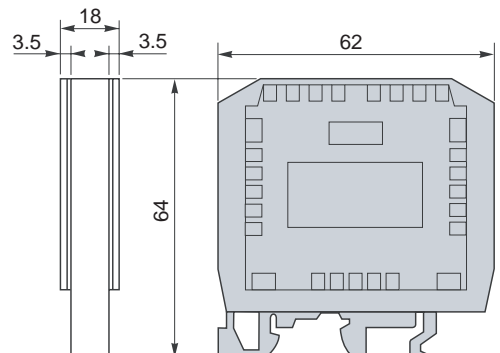


RCM-1X3 Three Channel NPN to PNP Converter

Wiring Connection



Dimensions (mm)



All information is subject to change without prior notice.

Ramco Innovations

1207 Maple St. West Des Moines, IA 50265 USA
 Phone: 515-225-6933 FAX: 515-225-0063

1-800-280-6933

NPN to PNP Converter

With 12 VDC regulator

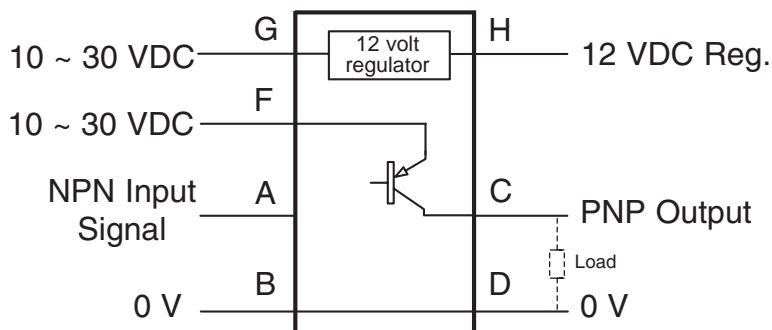
RCM-2

- Self contained module designed to convert a NPN sinking signal into a PNP sourcing signal.
- Regulated 12 VDC @ 250 mA is available to power external devices
- Supply Voltage : 10 to 30 VDC
- Converts the signal from one NPN device
- 100 mA maximum load current
- .5 millisecond response time
- Standard DIN rail mounting
- Temperature range 10 to 55° C

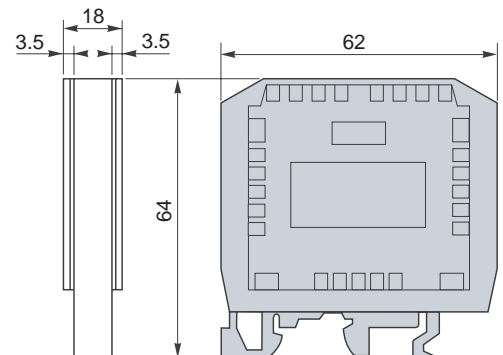


RCM-2 NPN to PNP Converter

Wiring Connection



Dimensions (mm)



All information is subject to change without prior notice.

Ramco Innovations

1207 Maple St. West Des Moines, IA 50265 USA
 Phone: 515-225-6933 FAX: 515-225-0063

1-800-280-6933

PNP to NPN Converter

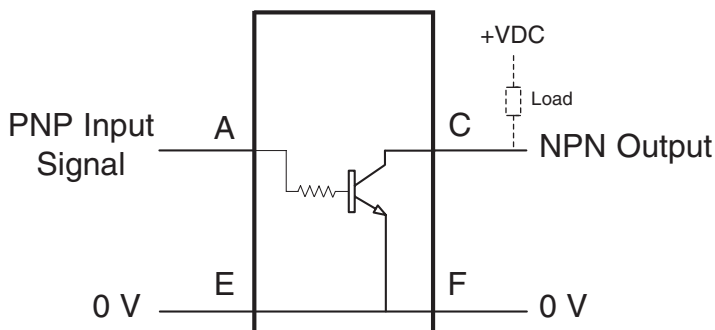
RCM-3

- Self contained module designed to convert a PNP sourcing signal into a NPN sinking signal.
- Supply Voltage : 10 to 30 VDC
- Converts the signal from one PNP device
- 100 mA maximum load current
- .5 millisecond response time
- Standard DIN rail mounting
- Temperature range 10 to 55° C

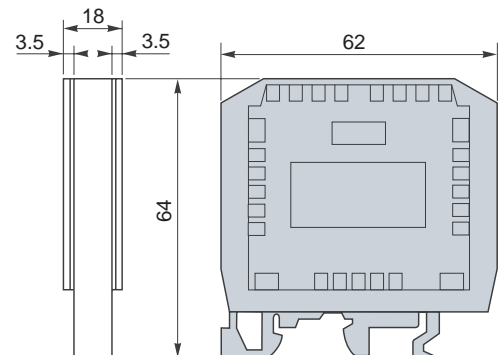


RCM-3 PNP to NPN Converter

Wiring Connection



Dimensions (mm)



All information is subject to change without prior notice.

Ramco Innovations

1207 Maple St. West Des Moines, IA 50265 USA
Phone: 515-225-6933 FAX: 515-225-0063

1-800-280-6933