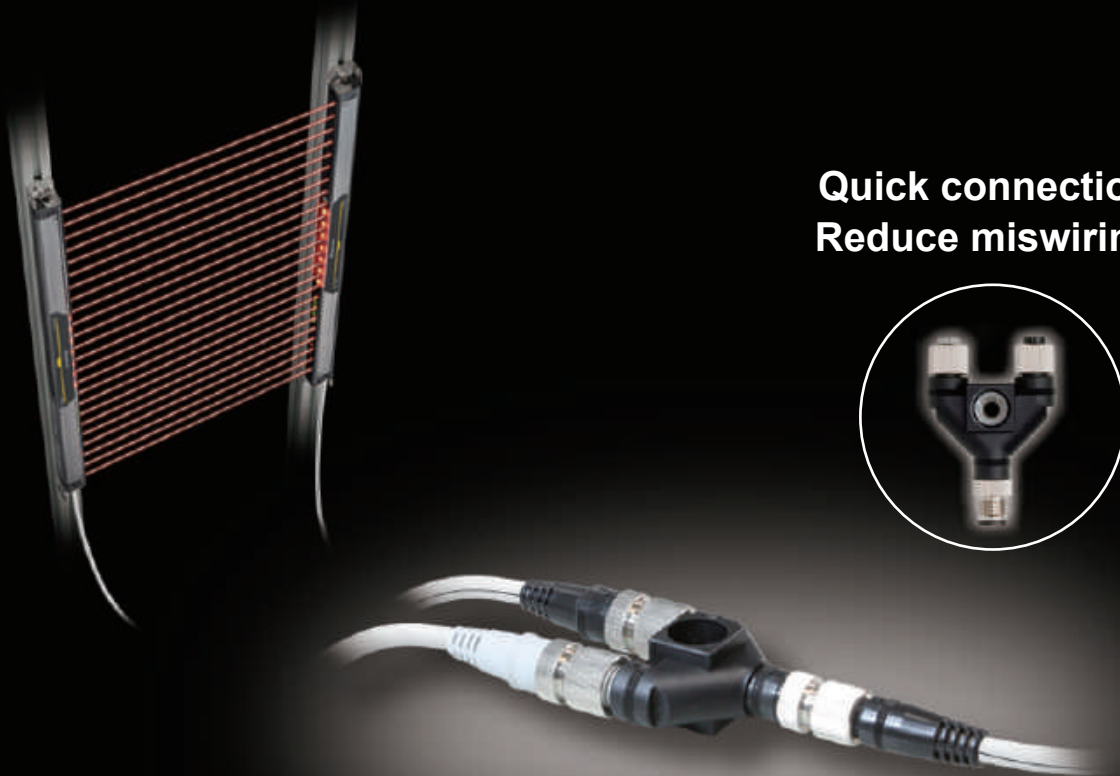
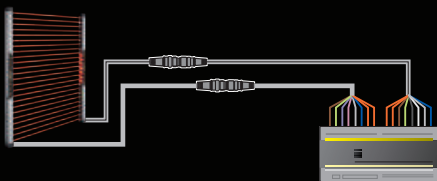


Ideal for quick installation of the Light Curtain!



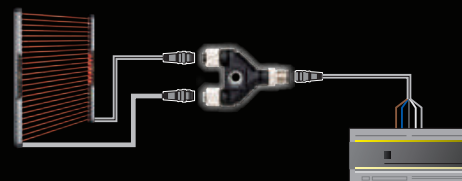
**Quick connection!
Reduce miswiring!**

Conventional way Require to connect total **24 wires**



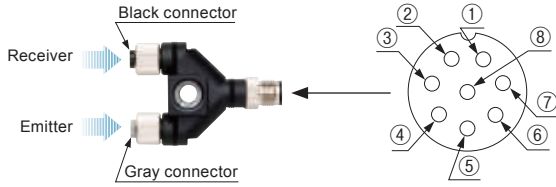
Safety PLC, Safety Relay Unit,
SF-C13, SFL, SF-CL1T264T, etc.

Y-shaped connector Connect **only 5 wires**
plus 2 wires for large multipurpose indicator



Safety PLC, Safety Relay Unit,
SF-C13, SFL, SF-CL1T264T, etc.

Connector pin assignment



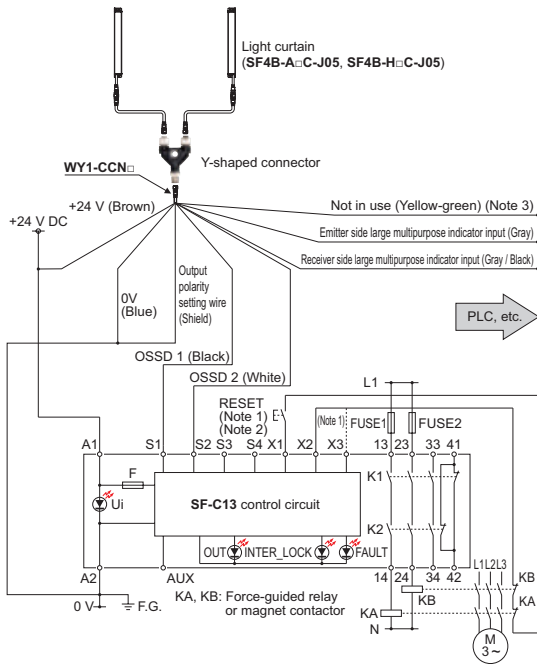
Connector pin		Description
No.	Color (WY1-CCN□)	
①	White	Control output 2 (OSSD2)
②	Brown	+24 V
③	Black	Control output 1 (OSSD1)
④	Yellow-green	Not in use
⑤	Gray	Emitter side large multipurpose indicator
⑥	Gray / Black	Receiver side large multipurpose indicator
⑦	Blue	0 V
⑧	Shield	Output polarity setting

Type	Appearance	Model No.	Description
Wire saving Y-shape connector		SFBC-WY1-T1	Wire saving connector for SF4B-A□-J05 and SF4B-H□-J05 . Consolidates cables of the emitter and the receiver into one for wire saving. Wiring has only +24 V, 0 V, OSSD1, OSSD2, output polarity setting (shield cable), the emitter side large multipurpose indicator and the receiver side large multipurpose indicator. [Power wires and synchronization wires are connected inside of the connector.] Interlock function is disabled (auto-reset) if using this wire saving connector.
Cable with connector on one end		WY1-CCN3	Cable length: 3 m 9.843 ft Net weight: Approx. 200 g (1 cable)
		WY1-CCN10	Cable length: 10 m 32.808 ft Net weight: Approx. 620 g (1 cable)
Cable with connectors on both ends		SFB-CCJ3E-MU	Cable length: 3 m 9.843 ft Net weight: Approx. 190 g (1 cable)
		SFB-CCJ10E-MU	Cable length: 10 m 32.808 ft Net weight: Approx. 660 g (1 cable)
		SFB-CCJ3D-MU	Cable length: 3 m 9.843 ft Net weight: Approx. 210 g (1 cable)
		SFB-CCJ10D-MU	Cable length: 10 m 32.808 ft Net weight: Approx. 680 g (1 cable)
			Exclusive cable for the Y-shaped connector Cable jacket color: Gray with black line Connector color: Black Minimum bending radius: R6 mm R0.236 in.
			Cable with connectors on both ends for pigtailed type (with muting function). Cable jacket color: Gray (for the emitter) Gray with black line (for the receiver) Connector color: Gray (for the emitter) Black (for the receiver) Minimum bending radius: R6 mm R0.236 in.

Wiring diagram: SF-C13 control unit

For PNP output (minus to ground)

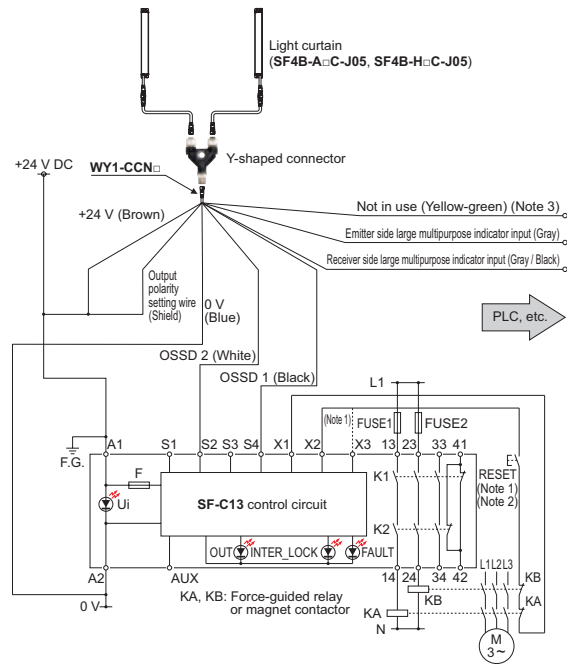
- Connect the control output 1 (OSSD1) to S1 and the control output 2 (OSSD2) to S2.



- Notes: 1) The above design is when using manual reset. If automatic reset is used, disconnect the lead wire from X2 and connect it to X3. In this case, a reset (RESET) button is not needed.
2) Use a momentary-type switch as the reset (RESET) button.
3) Unused wires must be insulated.

For NPN output (plus to ground)

- Connect the control output 1 (OSSD1) to S4 and the control output 2 (OSSD2) to S2.



- Notes: 1) The above design is when using manual reset. If automatic reset is used, disconnect the lead wire from X2 and connect it to X3. In this case, a reset (RESET) button is not needed.
2) Use a momentary-type switch as the reset (RESET) button.
3) Unused wires must be insulated.