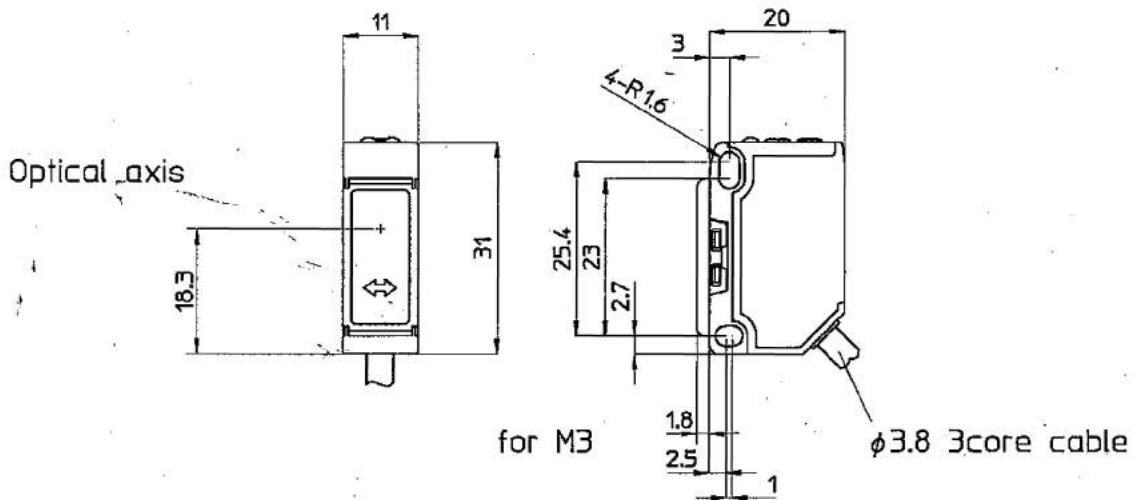
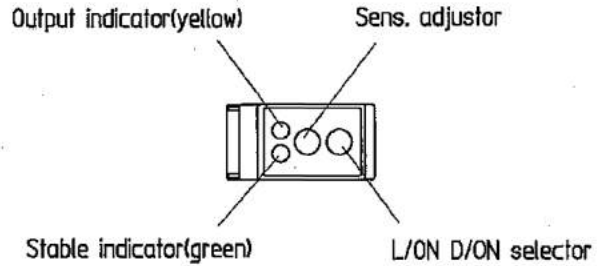


X59-Q101

CON.NO	QUAN	NAME	MATERIAL	STANDARD	DISPOSAL	REMARKS
<b>A4</b>	SCALE 1/1	UNIT m.m.	DATE 2004.9.7	DESCRIPTION <b>S2 series Redesign</b>		
APPROVED BY <b>K.Matsumoto</b>	CHECKED BY <b>K.Matsumoto</b>	DRAWN BY <b>R.Kumo</b>	DESIGNED BY <b>R.Kumo</b>	Cable type with <b>BL-W140-POLF</b>		
3RD ANGLE PROJECTION				ITEM	Dimensions	
OPTEX CO.,LTD.				DRAWING NO	X59-Q101	