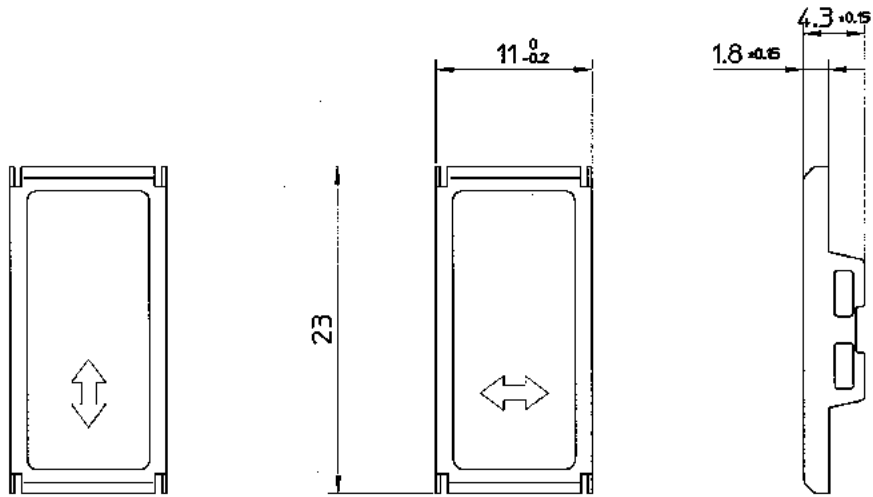


X49-Q200



③		Filter horizontal				
②		Filter vertical				
①		Filter cover	SUS304			
CON.NO	QUAN	NAME	MATERIAL	STANDARD	DISPOSAL	REMARKS
<b>A4</b>		SCALE 2/1	UNIT m.m	DATE 2004.9.7	DESCRIPTION BL-W140-POLF	
APPROVED BY K.Matsumoto	CHECKED BY K.Matsumoto	DRAWN BY R.Kumo	DESIGNED BY R.Kumo	ITEM Dimensions		
3RD ANGLE PROJECTION		<b>OPTEX CO.,LTD.</b>		DRAWING NO	X49-Q200	