

SPECIFICATION

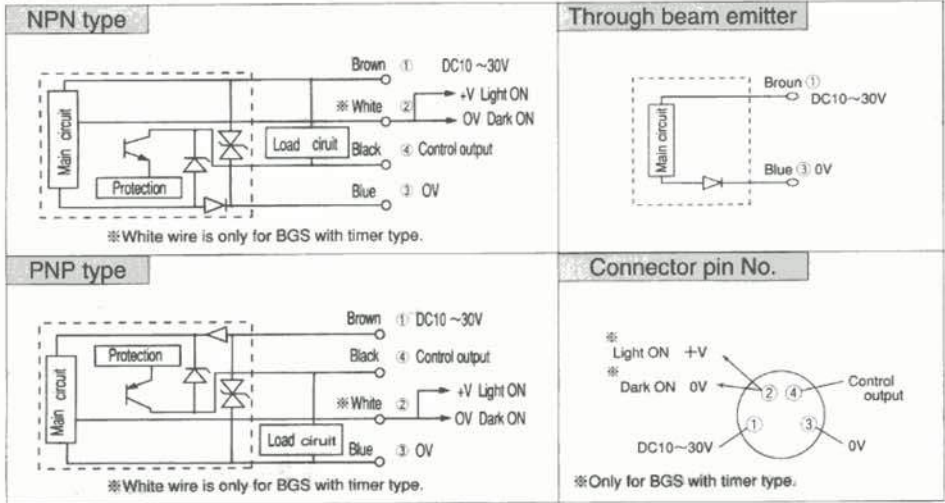
INSTRUCTION MANUAL

S2-SERIES PHOTOELECTRIC SENSOR

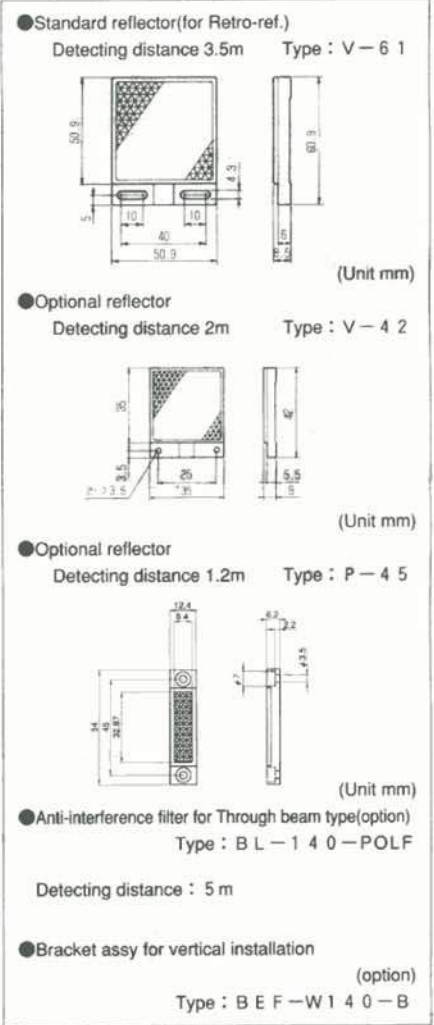
- Thank you for purchasing S2 series photoelectric sensor. Check that the specifications agree with yours.
- Please read this manual through before using the sensor, and retain it for future reference.

	Through beam	Retro reflection	Diffused reflection		Limited function type		BGS Type	
			Red light source type	IR light source type	Through beam type	Retro reflection type	with timer function	without timer function
Cable type	S2T-1200N	S2R-350N	S2D-80N	S2D-60N	S2T-1200N/D	S2R-350N/D	BGS-2S30/N/P/T	BGS-2S30/N/P
Connector type	S2T-1200CN	S2R-350CN	S2D-80CN	S2D-60CN			BGS-2S30C/N/P/T	BGS-2S30C/N/P
Detecting distance	12m	3.5m	80cm	60cm	12cm	3.5cm	25~300mm (adjustable range)	
Supply voltage	DC10~30V Including ripple (P-P) 10%							
Current consumption	Sender : 20mA max.		20mA max.		Sender : 20mA max.		20mA max.	
	Receiver : 15mA max.				Receiver : 15mA max.		30mA max.	
Response time	0.5ms max.							
Control output	NPN/PNP Open collector 100mA max./DC30V							
Operation mode	Light ON / Dark ON Selectable by swi				Dark ON		Light ON / Dark ON Selectable by wiring	
Sensitivity adjustment	1 turn volume				Not equipped		6 turns endless volume	
Indicator	Out put indicator (orange LED) Stable indicator (green LED) (Green LED of BGS type is stable incident indicator)							
Ambient temp. humidity	-25~55°C / 35~85%RH							
Protection category/material	1P67 (1P65 for limited function type) / Case : ABS (glass included)				Front cover : PMMA (PC for BGS type)			
Timer	Not equipped						0~100ms adjustable Not equipped	

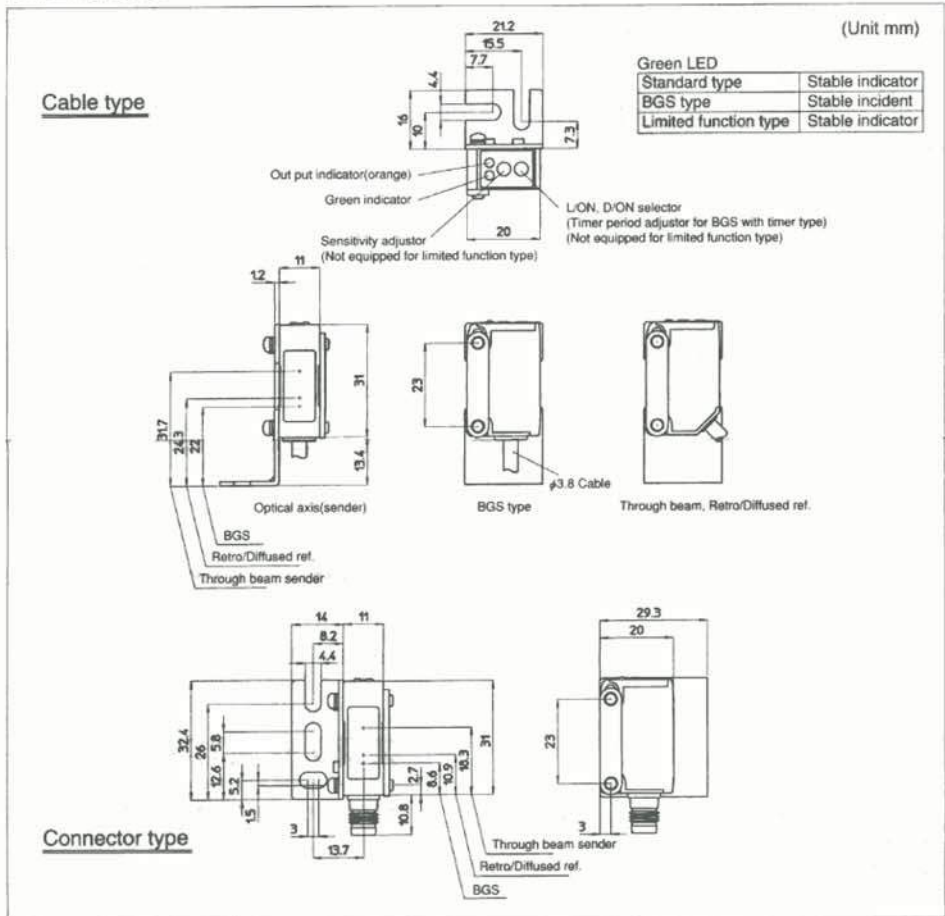
INPUT AND OUTPUT CIRCUIT DIAGRAMS



ACCESSORIES



DIMENSIONS



Developed by
• OPTEX CO., LTD.
 Manufactured by

OPTEX FA CO., LTD.

Optex-FA U.S. sales
 Ramco Innovations
 (800) 280-6933
 www.optex-ramco.com