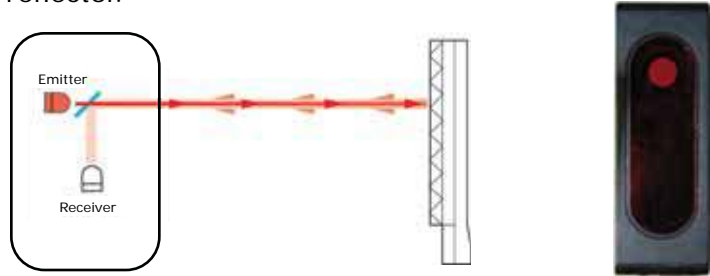




ADVANCED TRANSPARENT OBJECT DETECTION

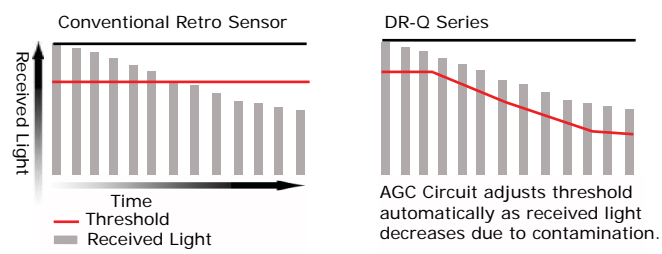
Ultimate In Transparent Object Detection

The coaxial laser beam provides accurate detection of transparent objects because of one axis alignment and laser controlled rectangular spot projected onto the reflector.



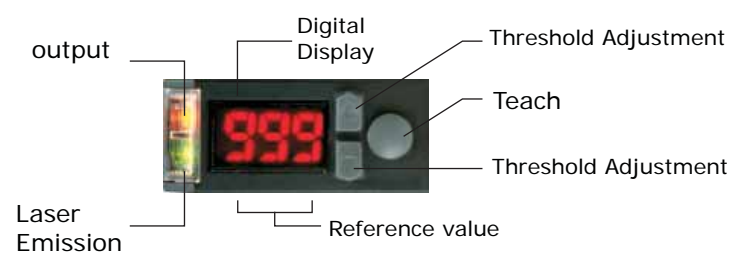
Automatic Sensitivity Control (AGC)

Automatically tracks decreasing light volume due to slight condensation or dust buildup and compensates by adjusting the threshold level keeping the sensor operating properly.



Function Rich Yet Simple Operation

The DR-Q has Push button set-up with digital threshold adjustments. The Sensor also incorporates digital display for monitoring light level.



Capable of clear on clear detection including looking through Vacuum port and detecting transparent disk.

SPECIFICATIONS

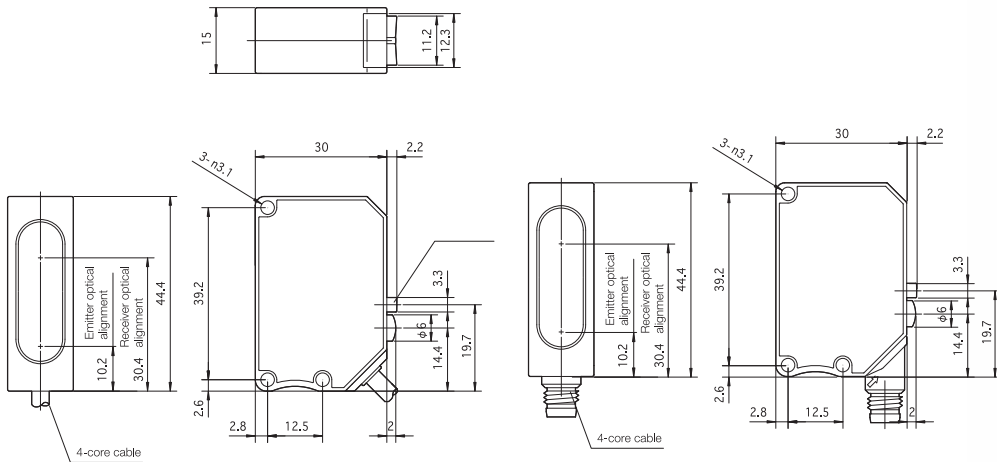
DR-Q SERIES TRANSPARENT DETECTION LASER SENSORS

MODEL	Transparent Type	
Type	High Accuracy	Long Distance
Cable Type	DR-Q150TN (or Q150TP)	DR-Q400TN (or Q400TP)
M8 Connector Type	DR-Q150TCN (or Q150TCP)	DR-Q400TCN (or Q400TCP)
Range	1.5 meter (4.9 ft)	4 meter (13 ft)
Spot Size	15mm / 1.5 meter	20mm / 3.5 meter
Sensitivity adjustment	Push Button with fine adjust buttons	
Supply Voltage	DC10-30V including 10% ripple (P-P)	
Current Consumption	50mA max (12V), 35mA max (24V)	35ma
Response Time	0.7ms	
Timer	Off delay/On Delay/One shot delay (1ms increment : 0-999ms, 1s increment for 1-10s)	
External Input	Remote Teach	
Light Source	Red Laser Diode 650nm, Max 1mW 300us, Class 2	Red Laser Diode 650nm, Max 2mw 600us, Class 2
Indicator	Output Indicator (Orange), Laser Emission (Green)	
Digital Indicator	7 Segment , 3 digit RED LED	
Control Output	NPN or PNP	
Operation Mode	Light/ Dark On Selectable	
Ambient Temp	-10 to 50 C (14 to 122 F)	
Protection category	IP67	
Shock resistance	50G (500m/S ²), XYZ 3 directions	
Materials	Anti-Bacterial ABS (Housing), PMMA (lens)	

Includes P250F reflector and mounting bracket

2M cable for connector version part# M8-FS4-PVC-2M

DIMENSIONS



Reflectors

