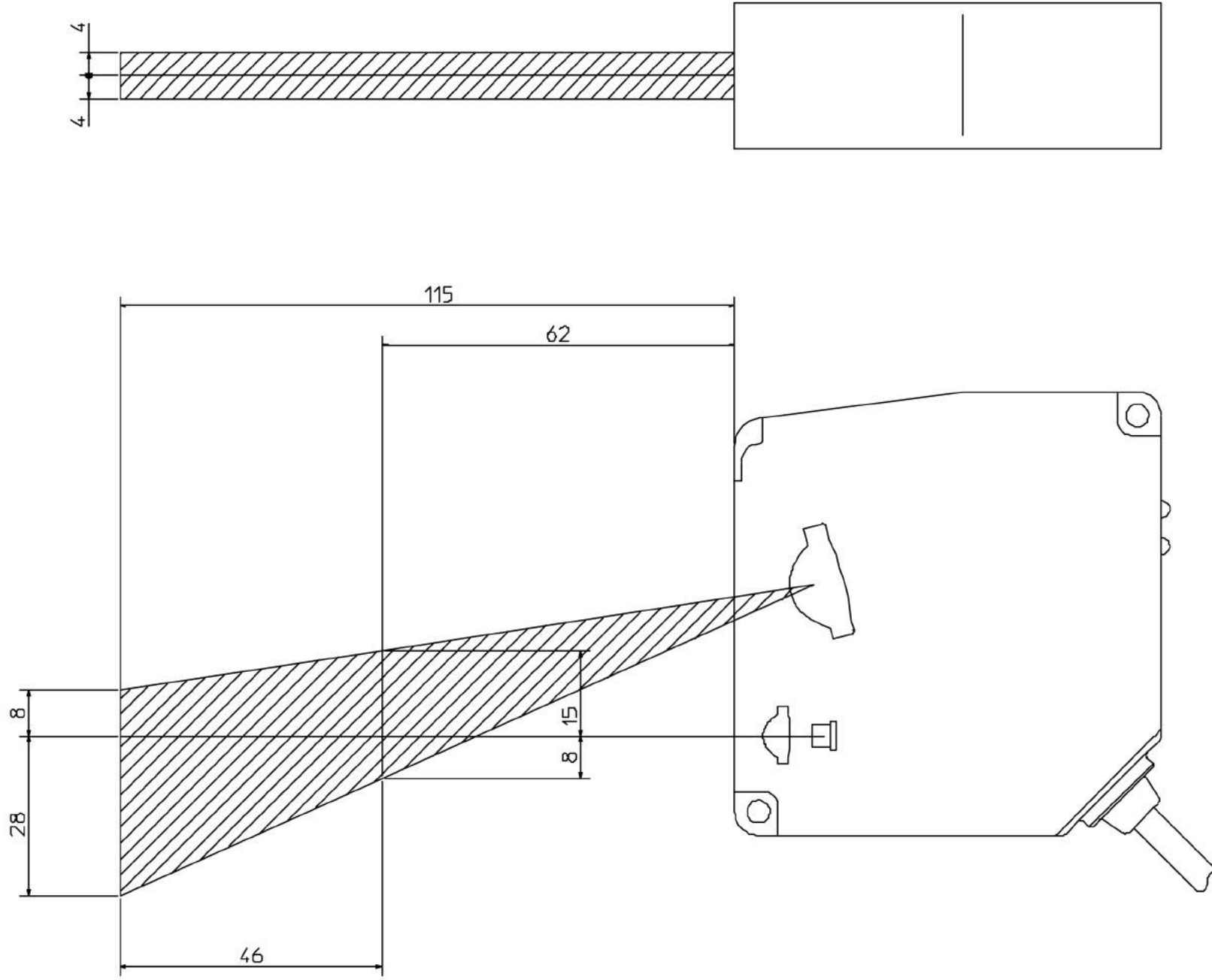


X97-Z305



CON.NO	QUAN	NAME	MATERIAL	STANDARD	DISPOSAL	REMARK
A3	SCALE	x	UNIT	mm	DATE	2008.3.10
APPROVED BY	CHECKED BY	DRAWN BY	DESIGNED BY	DESCRIPTION		
K.Matsumoto	K.Matsumoto	S.Nishimura	S.Nishimura	CD5-W85 Interference area		
3RD ANGLE PROJECTION				DRAWING NO		X97-Z305
OPTEX FA CO.,LTD.						