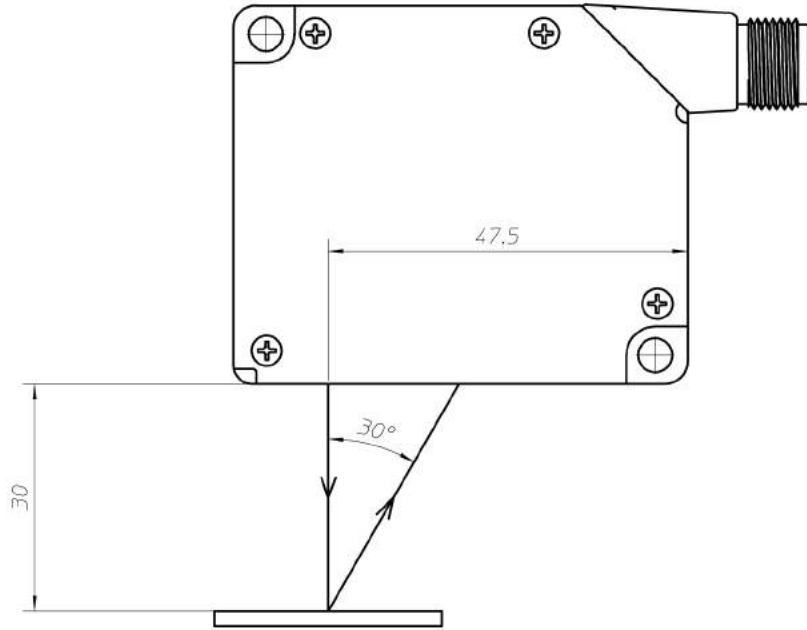


X103-Q011

CON.NO	QUAN	NAME	MATERIAL	STANDARD	DISPOSAL	REMARKS
<b>A4</b>	SCALE 1/1	UNIT m.m.	DATE 2008.7.31	DESCRIPTION <b>CD33 30mm type</b>		
APPROVED BY K.Matsumoto	CHECKED BY K.Matsumoto	DRAWNED BY Shirakawa	DESIGNED BY Shirakawa	ITEM <b>Optical Axis</b>		
3RD ANGLE PROJECTION	<b>OPTEX FA CO.,LTD.</b>			DRAWING NO	<b>X103-Q011</b>	