

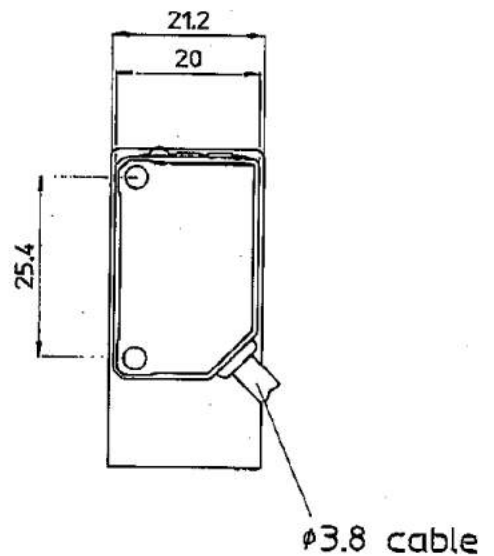
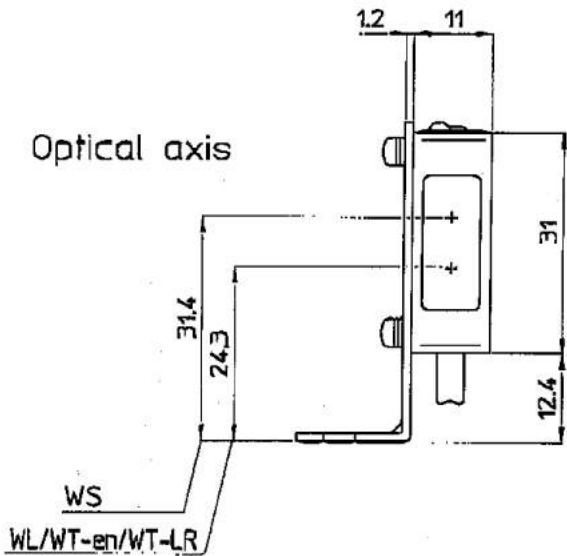
Output indicator(orange)

Sensitivity adjustor

L.ON/D.ON selector

Adjustor and selector are not equipped depend on type.

Optical axis



CONNO	QUAN	NAME	MATERIAL	STANDARD	DISPOSAL	REMARKS
A4	SCALE 1/1	UNIT m.m.	DATE 2002.6.14	DESCRIPTION W100 standard [Ⓢ]		
APPROVED BY K.Matsumoto	CHECKED BY K.Matsumoto	DRAWN BY R.Kumo	DESIGNED BY R.Kumo	Cable type with optional bracket		
3RD ANGLE PROJECTION				ITEM	Dimensions	
OPTEX CO.,LTD.				DRAWING NO	X69-Q002	