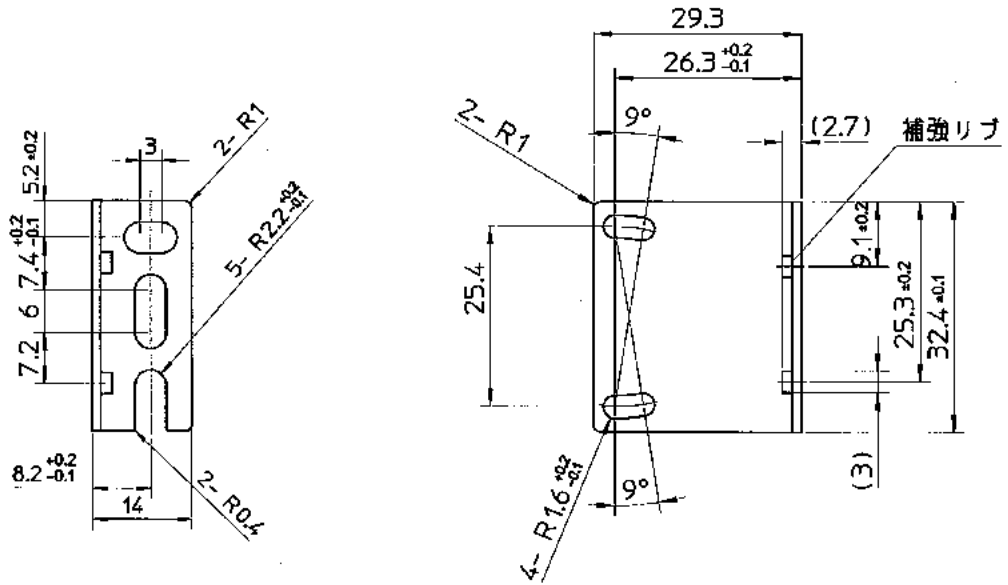
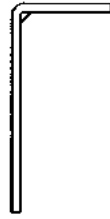


0551750



				SUS304	t=1.2		
CON.NO	QUAN	NAME		MATERIAL	STANDARD	DISPOSAL	REMARKS
A4	SCALE 1 / 1	UNIT m.m	DATE 2002.6.14	DESCRIPTION BEF-W100-A			
APPROVED BY K.Matsumoto	CHECKED BY K.Matsumoto	DRAWN BY R.Kumo	DESIGNED BY R.Kumo	ITEM 部 品 図			
3RD ANGLE PROJECTION	OPTEX CO.,LTD.			DRAWING NO		0551750	