

Works great, looks great.

Our NY industrial Panel PC enables operator and maintenance engineer to operate and interact more effectively with the machine, using powerful, tough and future-proof PC technology for visualization, data-handling, measuring and controlling. Omron engineers used the latest insights in design simplification to cut faults caused by complexity, while optimizing operator efficiency, maximizing uptime and reducing costs.



Features

- No internal cables in the PC part eliminates faults, maximizes uptime
- Unique simplified thermal design cuts downtime
- Powerful Intel® Core™ technology for optimum performance
- 12.1 and 15.4 inch industrial display
- Multi-touch projected capacitive touchscreen
- False touch detection (palm, water)
- Operator can wear gloves *

* When using gloves, ensure to use gloves that are functional with this touchscreen.

Windows is a registered trademark of Microsoft Corporation in the United States and other countries.

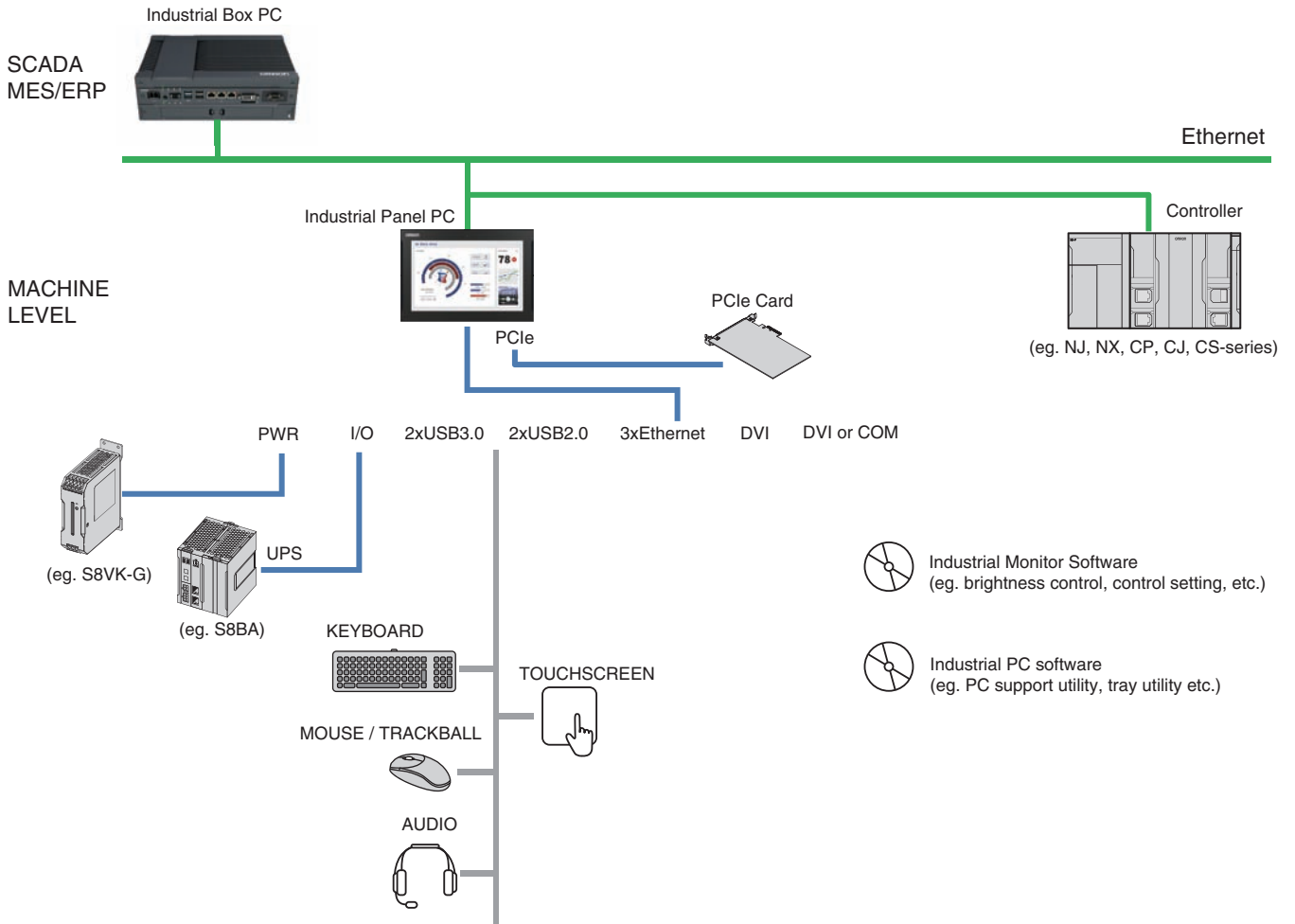
The SD and SDHC logos are trademarks of SD-3C, LLC.

Intel, Celeron and Intel Core are trademarks or registered trademarks of Intel Corporation or its subsidiaries in the United States and other countries.

Other company names and product names in this document are the trademarks or registered trademarks of their respective companies.

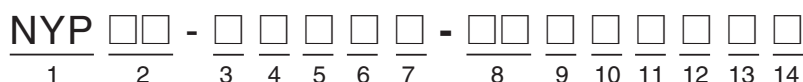
The product photographs and figures that are used in this document may vary somewhat from the actual products.

System Configuration



Model Number Structure

The purpose of this model number legend is to provide understanding of the meaning of specifications from the model number. Models are not available for all combinations of code numbers.



Item	Description	Option / Description
1	Series name	NYP: NY- series Industrial Panel PC
2	Processor	<ul style="list-style-type: none"> 1 7: Intel® Core™ i7-4700EQ 4th generation CPU with fan unit for active cooling 2 5: Intel® Core™ i5-4300U 4th generation CPU with fanless cooling 1 C: Intel® Celeron® 2980U 4th generation CPU with fanless cooling
3	Main memory	<ul style="list-style-type: none"> 1: 2 GB, non-ECC 2: 4 GB, non-ECC 3: 8 GB, non-ECC
4	Expansion slots	1: 1 PCIe slot
5	Operating system	<ul style="list-style-type: none"> 1: Windows Embedded Standard 7 - 32 bit 2: Windows Embedded Standard 7 - 64 bit
6	Storage	<ul style="list-style-type: none"> 8: 32 GB, SSD SLC 9: 64 GB, SSD SLC C: 320 GB, HDD K: 128GB, SSD MLC
7	Optional interface	<ul style="list-style-type: none"> 1: RS-232C 2: DVI-D
8	Display size (diagonal)	<ul style="list-style-type: none"> 12: 12.1 inch model, 1280 x 800 pixels, 24 bit full color 15: 15.4 inch model, 1280 x 800 pixels, 24 bit full color
9	Display ratio	W: Wide
10	Touchscreen	C: Projected Capacitive Touch type
11	Frame type	1: Aluminum frame, black
12	Design	0: Standard
13	Built-in options	0: None
14	Logo	<ul style="list-style-type: none"> 0: OMRON 2: Customized logo *

* For Europe only. Please consult your OMRON representative for details.

Ordering Information

NY-series Industrial PC Platform

Recommended models

The industrial Panel PC has extended configuration possibilities to meet your requirements, below an overview of the most used and recommended models. Selecting one of the models below will bring the benefit of faster delivery times.

In case your preferred model is not listed below, please contact your Omron representative to discuss the possibilities.

Product name	Specifications						Model	
	Display size	Operating system	CPU type	RAM memory (non-ECC type)	Storage size	Interface option		
Industrial Panel PC	12.1 inch	Windows Embedded Standard 7 - 64bit	Intel® Core™ i7-4700EQ	8 GB	64 GB SSD (SLC)	RS-232C	NYP17-31291-12WC1000	
			Intel® Core™ i5-4300U	8 GB	128 GB SSD (MLC)	RS-232C	NYP25-312K1-12WC1000	
			Intel® Core™ i5-4300U	8 GB	64 GB SSD (SLC)	RS-232C	NYP25-31291-12WC1000	
			Intel® Celeron® 2980U	8 GB	128 GB SSD (MLC)	RS-232C	NYP1C-312K1-12WC1000	
	15.4 inch	Windows Embedded Standard 7 - 32bit	Intel® Celeron® 2980U	4 GB	128 GB SSD (MLC)	RS-232C	NYP1C-211K1-12WC1000	
			Windows Embedded Standard 7 - 64bit	Intel® Core™ i7-4700EQ	8 GB	64 GB SSD (SLC)	RS-232C	NYP17-31291-15WC1000
				Intel® Core™ i5-4300U	8 GB	128 GB SSD (MLC)	RS-232C	NYP25-312K1-15WC1000
				Intel® Core™ i5-4300U	8 GB	64 GB SSD (SLC)	RS-232C	NYP25-31291-15WC1000
				Intel® Celeron® 2980U	8 GB	128 GB SSD (MLC)	RS-232C	NYP1C-312K1-15WC1000
			Windows Embedded Standard 7 - 32bit	Intel® Celeron® 2980U	4 GB	128 GB SSD (MLC)	RS-232C	NYP1C-211K1-15WC1000

Accessories

Optional Hardware

Product name	Specifications	Model
SD Memory Cards	Card type: SD Card Capacity: 2 GB Format: FAT16	HMC-SD291
	Card type: SDHC Card Capacity: 4 GB Format: FAT32	HMC-SD491
USB Flash Drives	Capacity: 2 GB	FZ-MEM2G
	Capacity: 8 GB	FZ-MEM8G
Storage Devices	Storage type: HDD Capacity: 320 GB	NY000-AH00
	Storage type: SSD SLC Capacity: 32 GB	NY000-AS00
	Storage type: SSD SLC Capacity: 64 GB	NY000-AS01
	Storage type: SSD MLC Capacity: 128 GB	NY000-AS02
USB Type-A to USB Type-B Cables	Cable length: 2 m USB 2.0 Minimum bend radius: 25 mm	FH-VUAB 2M
	Cable length: 5 m USB 2.0 Minimum bend radius: 25 mm	FH-VUAB 5M
DVI Cables	Cable length: 2 m Supports DVI-D Minimum bend radius: 36 mm	NY000-AC00 2M
	Cable length: 5 m Supports DVI-D Minimum bend radius: 36 mm	NY000-AC00 5M
Power Supply	Output voltage: 24 VDC	S8VK-G□□□24
UPS *	Output voltage during backup operation: 24 VDC ± 5%	S8BA
UPS Communication Cable	Cable length: 2 m Signals for <ul style="list-style-type: none"> • Signal output (BL, TR, BU, WB) • Remote ON/OFF input • UPS Stop Signal input (BS) 	S8BW-C02

* Revision number 04 or later.

The revision number of the UPS can be retrieved from the serial number label on the product and the product packaging.

A3□ □□□□□□□□ □□ □
 1 2 3 4

Item	Description
1	Product code
2	Product period and sequential number
3	Revision number
4	RoHS status

Spare Parts

The following spare parts for the Industrial Panel PC are available.

Product name	Specifications	Model
Battery	One battery is supplied with the Industrial Panel PC. The battery supplies power to the real-time clock. The battery is located inside the Industrial Panel PC. Service life: 5 years at 25°C	CJ1W-BAT01
Fan Unit	The Fan Unit is available for the Industrial Panel PC that has active cooling. Service life: 70,000 hours of continuous operation at 40°C with 15% to 65% relative humidity. Shelf life: 6 months This is the storage limitation with no power supplied.	NY000-AF00
Accessory Kit	Replacement kit containing all accessories supplied with Industrial Panel PC. <ul style="list-style-type: none"> • Power connector • I/O connector • Drive bracket for drive installation • 4 mounting screws for drive installation • PCIe Card support for PCIe Card installation • PCIe Card clip for PCIe Card installation 	NY000-AK00

Installed Support Software

Item	Specifications
Industrial PC Support Utility	The Industrial PC Support Utility is a software utility to assist in diagnosing and resolving problems of the Industrial Panel PC. It is pre-installed on the Industrial Box PC and the Industrial Panel PC.
Industrial PC Tray Utility	The Industrial PC Tray Utility is a software utility that provides information about the current state of the Industrial PC, its related devices, and associated software. It is pre-installed on the Industrial Box PC and the Industrial Panel PC.
Industrial PC System API	The Industrial PC System API allows programmers to create programs that can retrieve information or set an indicator status of the Industrial Panel PC. The API makes use of the included IPC System Service to manage the hardware. It is pre-installed on the Industrial Box PC and the Industrial Panel PC.
Industrial Monitor Utility	The Industrial Monitor Utility provides a user interface to control settings and display details of connected Industrial Monitors. It is pre-installed on the Industrial Box PC and the Industrial Panel PC.
Industrial Monitor Brightness Utility	The Industrial Monitor Brightness Utility is a small software utility that allows you to control the brightness of the screen backlight of all connected Industrial Monitors. It is pre-installed on the Industrial Box PC and the Industrial Panel PC.
Industrial Monitor API	The Industrial Monitor API allows programmers to create applications that can control the hardware features and retrieve information from connected Industrial Monitors. It is pre-installed on the Industrial Box PC and the Industrial Panel PC.

Specifications

Performance Specifications

Item		NYP17-□□□□□	NYP25-□□□□□	NYP1C-□□□□□	
Main system	CPU	CPU type	Intel® Core™ i7-4700EQ	Intel® Core™ i5-4300U	Intel® Celeron® Processor 2980U
		Cores / Threads	4 / 8	2 / 4	2 / 2
		CPU base frequency	2.4 GHz	1.9 GHz	1.6 GHz
		Maximum turbo frequency	3.4 GHz	2.9 GHz	–
		Cache	6 MB	3 MB	2 MB
		Cooling details	Requires active cooling (fan)	Passive cooling (fanless)	
	Memory	Memory size	4, 8 GB	2, 4, 8 GB	2, 4, 8 GB
		Memory type	DDR3L (non ECC)		
	Trusted platform module (TPM)		<ul style="list-style-type: none"> Ensure the integrity of the platform Disk encryption Password protection and other uses of encryption 		
	Graphics controller		Intel® HD Graphics. Up to two independent screens.		
		Intel® HD Graphics 4600	Intel® HD Graphics 4400	Intel® HD Graphics	
Watchdog		Yes			
Operating system	Windows OS	Windows Embedded Standard 7 - 32 bit Windows Embedded Standard 7 - 64 bit			
Storage devices	Drives	Hard disk drive		<ul style="list-style-type: none"> HDD - 320 GB Serial ATA 3.0 	
		Solid state drive	SLC type	<ul style="list-style-type: none"> SLC type - long life SSD 32 GB and 64 GB models Serial ATA 3.1 	
			MLC type	<ul style="list-style-type: none"> MLC type - industrial MLC 128 GB Serial ATA 3.1 	
	Drive bay (HDD/SSD) *1		2	2	1
Connectors	Power connector		• 24 VDC		
	I/O connector		2 inputs (Power ON/OFF Input and UPS Mode Input) and 1 output (Power Status Output)		
	USB connectors	USB 3.0		<ul style="list-style-type: none"> 2 ports 900 mA maximum current 3 m maximum cable length 	
		USB 2.0		<ul style="list-style-type: none"> 2 ports 500 mA maximum current 5 m maximum cable length 	
	Ethernet connectors	Number of available ports		3	
		Physical layer		10BASE-T, 100BASE-TX or 1000BASE-T	
	DVI-I connector	Video interface		Digital or analog	Digital only
		Resolution		Up to 1,920 x 1,200 pixels at 60 Hz	
Maximum DVI cable length		Dependent upon connected monitor type and resolution			
Optional connector (select one per system)	RS-232C		Standard SUBD9 connector (Non-Isolated)		
	DVI-D	Video interface		Digital only	
		Resolution		Up to 1,920 x 1,200 pixels at 60 Hz	
		Maximum DVI cable length		Dependent upon connected monitor type and resolution	
PCIe Card Slot	Configuration		X4 (4 lanes) up to Gen 3	X1 (1 lane) up to Gen 2	
	Card height		Standard height cards, 4.20 inches (106.7 mm) *2		
	Card length		Half length cards, 6.6 inches (167.65 mm)		
Battery	Model		CJ1W-BAT01		
	Service life		5 years at 25°C		
Fan unit	Model		NY000-AF00		
	Service life		70,000 hours of continuous operation at 40°C with 15% to 65% relative humidity		
LED		PWR, ERR, HDD, RUN			

*1. Depending on the model one or two drives are supported.

*2. Low profile cards, 2.536 inches (64.4 mm) are not supported.

Display Specifications

Item		Specifications	
		12.1 Inch models	15.4 Inch models
Display	Display panel *1	Display device	TFT LCD
		Screen size	12.1 inches
		Surface treatment	Anti glare treatment
		Surface hardness	Mohs scale: 5 - 6
		Resolution	1,280 × 800 pixels at 60 Hz (horizontal × vertical)
		Colors	16,770,000 colors
		Effective display area	261 × 163 mm (horizontal × vertical)
		View angles	Left: 60°, Right: 60°, Top: 60°, Bottom: 60°
		Life	50,000,000 operations min.
	EMC	Correct touchscreen operation is possible within allowable EMC immunity conditions	
	Touch	Technology	Projected capacitive
		Touch resolution	Touch accuracy 1.5% (4-5 mm)
		Multitouch	Up to 5 simultaneous touches
Backlight	Features	Water detection *2, hand palm rejection *3, gloves *4	
	Life	50,000 hours min. *5	
	Brightness adjustment	200 levels *6	

*1. There may be some defective pixels in the display. This is not a fault as long as the numbers of defective light and dark pixels fall within the following standard range: light and dark pixels 10 or less. (There must not be 3 consecutive light/dark pixels.)

*2. If water is detected the touch functionality will not be available.

*3. If a palm is detected that specific area is neglected.

*4. The touchscreen can be operated when wearing gloves. Check correct usage of the gloves before using them.

*5. This is the estimated time before brightness is reduced by half at room temperature and humidity.

The life expectancy is drastically shortened if used at high temperatures.

*6. If the brightness is set to very dark, it causes flickering or the screen will be too dark to use.

Electrical Specifications

Item		Specifications	
		12.1 Inch models	15.4 Inch models
Rated power supply voltage		24 VDC, non-isolated	
Allowable power supply voltage range		20.4 to 28.8 VDC	
Grounding method		Ground to less than 100 Ω	
Inrush current		At 24 VDC: 12 A / 6 ms max. for cold start at room temperature	
Overvoltage category		JIS B3502 and IEC 61131-2: Category II	
EMC immunity level		IEC 61132-2: Zone B	
RTC accuracy		At ambient temperature of 55°C: -3.5 to +0.5 min error per month At ambient temperature of 25°C: -1.5 to +1.5 min error per month At ambient temperature of 0°C: -3 to +1 min error per month	
Power button life		100,000 operations	
Battery life		5 years at 25°C (for battery CJ1W-BAT01)	
Fan life		8 years of continuous operation at 40°C	
Power consumption *	Maximum power consumption including drives and expansions	Intel® Core™ i7-4700EQ CPU	132 W
		Intel® Core™ i5-4300U CPU	93 W
		Intel® Celeron® 2980U CPU	84 W
	Industrial Panel PC excluding drives and expansions	Intel® Core™ i7-4700EQ CPU	99 W
		Intel® Core™ i5-4300U CPU	70 W
		Intel® Celeron® 2980U CPU	63 W
	Drives	HDD 320 GB	2 W
		SSD SLC 32 GB	2 W
		SSD SLC 64 GB	2 W
		SSD MLC 128 GB	2 W
Expansions	USB	14 W max. ((2 x 500 mA at 5 V) + (2 x 900 mA at 5 V))	
	PCIe	Intel® Core™ i7-4700EQ CPU	15 W max.
		Intel® Core™ i5-4300U CPU Intel® Celeron® 2980U CPU	5 W max.

Note: Refer to the *Industrial Panel PC User's Manual (W555)* for detail.

* The total power consumption is the sum of the power consumption of all items that are installed in your Industrial Panel PC.

The required supply specifications for an Industrial Panel PC with an Intel® Core™ i7-4700EQ CPU.

Item	Minimum power requirements
Power supply	240 W
UPS	120 W

The required supply specifications for an Industrial Panel PC with an Intel® Core™ i5-4300U CPU or Intel® Celeron® 2980U CPU.

Item	Minimum power requirements
Power supply	120 W
UPS	120 W

Components and functions

The intent behind our IPC platform is to empower engineers to become unstoppable in developing machines and factories that are better, faster and safer by giving them the freedom and flexibility to explore the opportunities provided by modern IT. In line with Omron's traditional quality standards, the Industrial Panel PC is designed to meet the demands of industrial users for maximum robustness and reliability.

Powerful CPU options

Three powerful CPU options provide high performance for various applications.

Fanless cooling for multiple CPU types

The Industrial Panel PC has passive cooling for multiple CPU types which means no moving parts and less maintenance effort.

Easy access to storage devices and the PCI Express Card

Adding or changing storage devices (HDD, SSD) and the PCI Express Card is fast and simple.

LED indicators



DVI-I video interface

3 1Gbps Ethernet ports

Built-in IO

4 USB ports

Built-in SD Memory Card slot

LCD touchscreen

Multi-touch functionality

Up to 5 simultaneous touches are supported for complex functions.

Operation Environment Specifications

Item	Specifications
Ambient operating temperature *1	0 to 55°C
Ambient storage temperature *1	-20 to 70°C
Ambient operating humidity *1	10% to 90% with no condensation
Ambient storage humidity *1	10% to 90% with no condensation
Operating atmosphere	No corrosive gases
Altitude	2,000 m max.
Noise resistance (during operation)	Conforms to IEC61000-4-4, 2kV (power lines)
Vibration resistance (during operation)	The vibration resistance depends on the storage device(s): <ul style="list-style-type: none"> For a Panel PC with only SSD storage devices: 5 to 8.4 Hz with 3.5 mm single amplitude and 8.4 to 150 Hz with 9.8 m/s² for 10 times each in X, Y and Z directions. Conforms to IEC 60068-2-6. For a Panel PC with one or more HDD storage devices the Panel PC must be installed in a vibration free environment. *2
Shock resistance (during operation)	Conforms to IEC 60028-2-27. 147 m/s ² , 3 times in each X, Y and Z directions
Degree of protection	Front of Monitor: IP65 *3
Pollution degree	2 or less: Conforms to JIS B3502 and IEC 61131-2.
Applicable standards *4	EU Directives: EMC Directive 2014/30/EU (EN 61131-2), KC Registration, RCM, cULus, RoHS Directive (2002/95/EC)

*1. The allowed ambient operating temperature and ambient humidity depend on product type, CPU type, mounting orientation, and storage device type.

*2. A Panel PC with one or more HDD storage devices should not be used in applications subject to vibration.

Examples of applications subject to vibration:

- AGV (Automated Guided Vehicles)
- Rail vehicle
- Stacker crane
- Elevator
- Tableting machine
- Connector pin assembling machine
- Bending machine

Ensure your Panel PC with HDD does not vibrate. When in doubt use a Panel PC with SSD storage devices.

*3. The Panel PC may not operate properly in locations subjected to oil splashes for extended periods of time.

*4. Refer to the OMRON website (www.ia.omron.com) or contact your OMRON representative for the most recent applicable standards for each model.

Storage Device Specifications

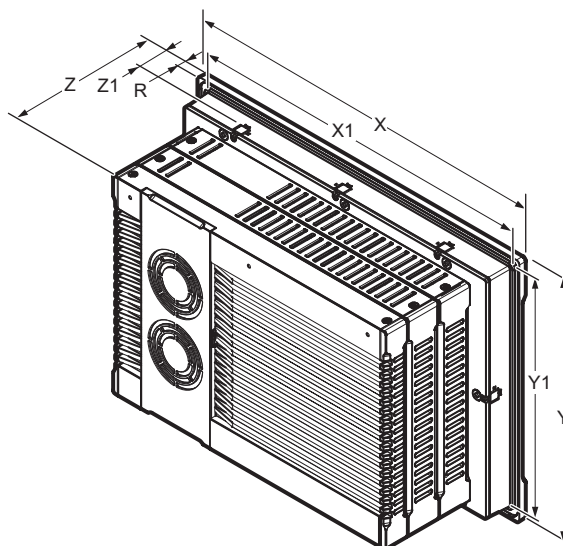
Item	Specifications			
	NY000-AS00	NY000-AS01	NY000-AS02	NY000-AH00 *1
Model	NY000-AS00	NY000-AS01	NY000-AS02	NY000-AH00 *1
Capacity	32 GB	64 GB	128 GB	320 GB
Type	SSD (SLC)		SSD (MLC)	HDD
S.M.A.R.T. support	Yes			
Rotation speed	-			5,400 r/min
Interface	Serial ATA 3.1			Serial ATA 3.0
Sustained standard read speed	Up to 160 MB/s		Up to 430 MB/s	-
Sustained standard write speed	Up to 150 MB/s		Up to 190 MB/s	-
Operating temperature	0 to 70°C			5 to 55°C
Operating humidity	10% to 95% (with no condensation)			<ul style="list-style-type: none"> • 10% to 95% (with no condensation) • 29°C wet-bulb temperature max.
Storage temperature	-40 to 100°C			-40 to 65°C
Storage humidity	10% to 95% (with no condensation)			<ul style="list-style-type: none"> • 8% to 90% (with no condensation) • 40°C wet-bulb temperature max.
Life	1,500 TB written / 11 years at a daily workload of 350 GB	3,000 TB written / 23 years at a daily workload of 350 GB	114 TB written / 3 years at a daily workload of 100 GB	Approximately 5 years or 20,000 powered-ON hours (whichever comes first) under the following conditions: <ul style="list-style-type: none"> • 25°C at 101.3 kPa • Less than 333 powered-ON hours/month *2 • Less than 20% operation while powered-ON *3 • Less than 1.30 x 10⁶ seeks/month

*1. For a Panel PC with an HDD: this device can only be installed in a vibration free environment only.

*2. Powered-ON hours include sleep and standby modes.

*3. Operation includes seeking, writing, and reading functions.

Dimensions



Item	Specifications	
	12.1 Inch	15.4 Inch
Panel preparation dimensions	Cutout Width X1 = 314 ⁻⁰⁺¹ mm Cutout Height Y1 = 216 ⁻⁰⁺¹ mm	Cutout Width X1 = 383 ⁻⁰⁺¹ mm Cutout Height Y1 = 259 ⁻⁰⁺¹ mm
Panel thickness range *	Panel thickness range Z1 = 1.6 to 6.0 mm	
Dimensions	Width X = 332 mm Height Y = 234 mm Depth Z = 121 mm	Width X = 401 mm Height Y = 277 mm Depth Z = 121 mm
Monitor thickness in front of panel	Rim thickness R = 8.0 mm	
Weight	6.1 kg	7.2 kg

* The minimum panel thickness depends on the panel material.

Recommended Related Products



Industrial Box PC NY-series

The Industrial Box PC is designed to meet the specific needs of the industrial environment. Design simplification and future-proof architecture minimize the risk of failure.



Industrial Monitor NY-series

The Industrial Monitor is of key importance at the interface between operator and system. The Industrial Monitor is efficient, effective and highly visible with an attractive design.



UPS S8BA-series

The OMRON S8BA UPS protects the Industrial PC from power failures, voltage variations and instantaneous voltage drops.

Related Manuals

The following manuals are related. Use these manuals for reference.

Manual name	Cat. No.	Model numbers	Application	Description
Industrial Box PC User's Manual	W553	NYB17-□1□□□□ NYB25-□1□□□□ NYB1C-□1□□□□	Learning all basic information about the Industrial Box PC. This includes introductory information with features, hardware overview, software overview, specifications, mounting, wiring, connecting, operating and maintaining the Industrial Box PC.	An introduction to the Industrial Box PC is provided along with the following information: <ul style="list-style-type: none"> • Overview • Hardware • Software • Specifications • Installation • Operating Procedures • Maintenance
Industrial Monitor User's Manual	W554	NYM15WC100□ NYM12WC100□	Learning all basic information about the Industrial Monitor. This includes introductory information with features, hardware overview, specifications, mounting, wiring, connecting, operating and maintaining the Industrial Monitor.	An introduction to the Industrial Monitor is provided along with the following information: <ul style="list-style-type: none"> • Overview • Hardware • Software • Specifications • Installation • Operating Procedures • Maintenance
Industrial Panel PC User's Manual	W555	NYP17-□1□□□□-15WC100□ NYP17-□1□□□□-12WC100□ NYP25-□1□□□□-15WC100□ NYP25-□1□□□□-12WC100□ NYP1C-□1□□□□-15WC100□ NYP1C-□1□□□□-12WC100□	Learning all basic information about the Industrial Panel PC. This includes introductory information with features, hardware overview, software overview, specifications, mounting, wiring, connecting, operating and maintaining the Industrial Panel PC.	An introduction to the Industrial Panel PC is provided along with the following information: <ul style="list-style-type: none"> • Overview • Hardware • Software • Specifications • Installation • Operating Procedures • Maintenance
UPS S8BA User's Manual	U702	S8BA	Learning the information that is necessary to use the Uninterruptible Power Supply (UPS) Unit.	An introduction to the UPS is provided along with the following information: <ul style="list-style-type: none"> • Overview • Preparation • Installation and Connection • Check and Start Operation • Maintenance and Inspection • Shutdown Processing • I/O Signal Functions • Troubleshooting

Terms and Conditions Agreement

Read and understand this catalog.

Please read and understand this catalog before purchasing the products. Please consult your OMRON representative if you have any questions or comments.

Warranties.

(a) Exclusive Warranty. Omron's exclusive warranty is that the Products will be free from defects in materials and workmanship for a period of twelve months from the date of sale by Omron (or such other period expressed in writing by Omron). Omron disclaims all other warranties, express or implied.

(b) Limitations. OMRON MAKES NO WARRANTY OR REPRESENTATION, EXPRESS OR IMPLIED, ABOUT NON-INFRINGEMENT, MERCHANTABILITY OR FITNESS FOR A PARTICULAR PURPOSE OF THE PRODUCTS. BUYER ACKNOWLEDGES THAT IT ALONE HAS DETERMINED THAT THE PRODUCTS WILL SUITABLY MEET THE REQUIREMENTS OF THEIR INTENDED USE.

Omron further disclaims all warranties and responsibility of any type for claims or expenses based on infringement by the Products or otherwise of any intellectual property right. (c) Buyer Remedy. Omron's sole obligation hereunder shall be, at Omron's election, to (i) replace (in the form originally shipped with Buyer responsible for labor charges for removal or replacement thereof) the non-complying Product, (ii) repair the non-complying Product, or (iii) repay or credit Buyer an amount equal to the purchase price of the non-complying Product; provided that in no event shall Omron be responsible for warranty, repair, indemnity or any other claims or expenses regarding the Products unless Omron's analysis confirms that the Products were properly handled, stored, installed and maintained and not subject to contamination, abuse, misuse or inappropriate modification. Return of any Products by Buyer must be approved in writing by Omron before shipment. Omron Companies shall not be liable for the suitability or unsuitability or the results from the use of Products in combination with any electrical or electronic components, circuits, system assemblies or any other materials or substances or environments. Any advice, recommendations or information given orally or in writing, are not to be construed as an amendment or addition to the above warranty.

See <http://www.omron.com/global/> or contact your Omron representative for published information.

Limitation on Liability; Etc.

OMRON COMPANIES SHALL NOT BE LIABLE FOR SPECIAL, INDIRECT, INCIDENTAL, OR CONSEQUENTIAL DAMAGES, LOSS OF PROFITS OR PRODUCTION OR COMMERCIAL LOSS IN ANY WAY CONNECTED WITH THE PRODUCTS, WHETHER SUCH CLAIM IS BASED IN CONTRACT, WARRANTY, NEGLIGENCE OR STRICT LIABILITY.

Further, in no event shall liability of Omron Companies exceed the individual price of the Product on which liability is asserted.

Suitability of Use.

Omron Companies shall not be responsible for conformity with any standards, codes or regulations which apply to the combination of the Product in the Buyer's application or use of the Product. At Buyer's request, Omron will provide applicable third party certification documents identifying ratings and limitations of use which apply to the Product. This information by itself is not sufficient for a complete determination of the suitability of the Product in combination with the end product, machine, system, or other application or use. Buyer shall be solely responsible for determining appropriateness of the particular Product with respect to Buyer's application, product or system. Buyer shall take application responsibility in all cases.

NEVER USE THE PRODUCT FOR AN APPLICATION INVOLVING SERIOUS RISK TO LIFE OR PROPERTY OR IN LARGE QUANTITIES WITHOUT ENSURING THAT THE SYSTEM AS A WHOLE HAS BEEN DESIGNED TO ADDRESS THE RISKS, AND THAT THE OMRON PRODUCT(S) IS PROPERLY RATED AND INSTALLED FOR THE INTENDED USE WITHIN THE OVERALL EQUIPMENT OR SYSTEM.

Programmable Products.

Omron Companies shall not be responsible for the user's programming of a programmable Product, or any consequence thereof.

Performance Data.

Data presented in Omron Company websites, catalogs and other materials is provided as a guide for the user in determining suitability and does not constitute a warranty. It may represent the result of Omron's test conditions, and the user must correlate it to actual application requirements. Actual performance is subject to the Omron's Warranty and Limitations of Liability.

Change in Specifications.

Product specifications and accessories may be changed at any time based on improvements and other reasons. It is our practice to change part numbers when published ratings or features are changed, or when significant construction changes are made. However, some specifications of the Product may be changed without any notice. When in doubt, special part numbers may be assigned to fix or establish key specifications for your application. Please consult with your Omron's representative at any time to confirm actual specifications of purchased Product.

Errors and Omissions.

Information presented by Omron Companies has been checked and is believed to be accurate; however, no responsibility is assumed for clerical, typographical or proofreading errors or omissions.

2016.12

In the interest of product improvement, specifications are subject to change without notice.

OMRON Corporation
Industrial Automation Company

<http://www.ia.omron.com/>

(c)Copyright OMRON Corporation 2016 All Right Reserved.